


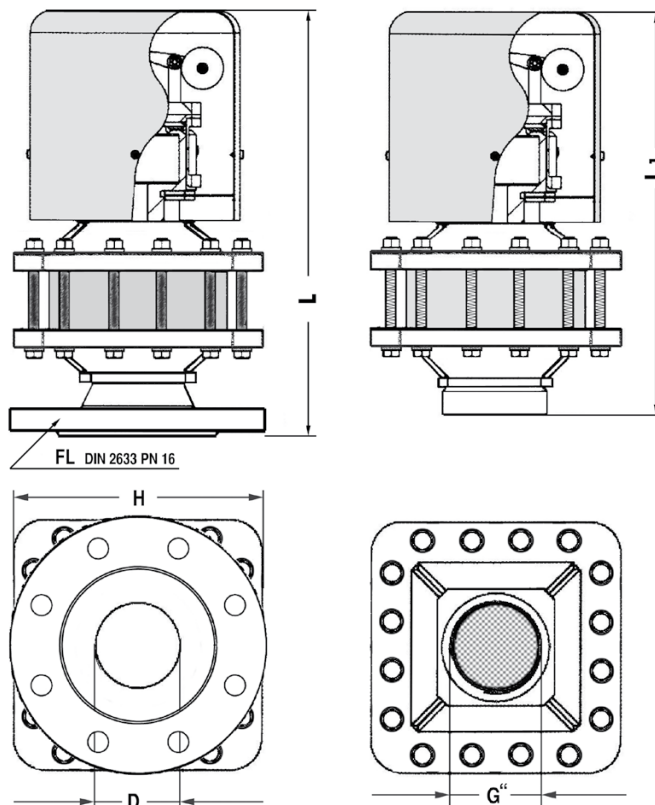
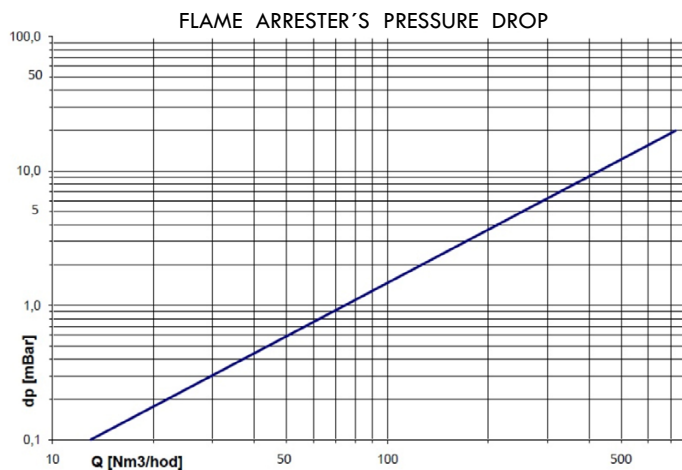
END OF LINE DEFLAGRATION FLAME ARRESTER with Excess-Vacuum Valve

Typ: DAG-VA7-C-IIB3-080

Certificate: IBExU13ATEX2054 X EN ISO 16852 

PIPE CONNECTION		
FLANGED CONNECTION	DN 80 - DIN 2633 - PN16*	
* According to the customers' request DIN 2631 PN6 or DIN 2632 PN10		
THREAD CONNECTION	DN 80 - 3"	
MATERIAL OF CASING, CONNECTING FLANGES AND CONNECTION MATERIAL		
ČSN 11 373	DIN 1.0036	S235JRG1
ČSN 17 240	DIN 1.4301	X5CrNi18-10
ČSN 17 348	DIN 1.4571	X6CrNiMoTi17-12-2
MATERIAL QUENCHING ELEMENT	DIN 1.4571 - X6CrNiMoTi17-12-2	

SEALING	CS1310 th. 2 mm (expanded graphite)		
SEALING VALVE	EPDM 3 mm		
CORROSION PROTECTION	Zink, Komaxit RAL 2004		
NAMEPLATE	stainless metal sheet		
ARRESTER WEIGHT	ca. 28 kg		
OPERATING TEMPERATURE RANGE	-20 °C... +60 °C		
VALVE SETTING RANGE			
EXCESS PRESSURE	+30 mbar	VACUUM PRESSURE	-8 mbar
EXPLOSION CLASS	IIB3		



SafExty NExus®

ROZMĚRY - ABMESSUNGEN DIMENSIONS		
D	DN	80
H	[mm]	234
L	[mm]	340
L1	[mm]	320
FL	DIN 2633	PN16
G"	[inch]	3"

Technické změny vyhrazeny -
Technische Änderungen vorbehalten -
Specifications subject to change without notice

