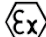


END OF LINE DEFLAGRATION FLAME ARRESTER
with intergratend excess-vacuum valve

Typ: DAG-A7V-C-IIA-080

Certificate: IBEXU11ATEX2149 X EN ISO 16852 

PIPE CONNECTION		
FLANGED CONNECTION	DN 80 - DIN 2633 - PN16*	
* According to the customers' request DIN 2631 PN6 or DIN 2632 PN10		
MATERIAL OF CASING, CONNECTING FLANGES AND CONNECTION MATERIAL		
ČSN 11 373	DIN 1.0036	S235JRG1
ČSN 17 240	DIN 1.4301	X5CrNi18-10
ČSN 17 348	DIN 1.4571	X6CrNiMoTi17-12-2
MATERIAL QUENCHING ELEMENT	DIN 1.4571 - X6CrNiMoTi17-12-2	

SEALING	CS1310 th. 2 mm (expanded graphite)		
SEALING VALVE	EPDM 3 mm		
CORROSION PROTECTION	Zink, Komaxit RAL 2004		
NAMEPLATE	stainless metal sheet		
ARRESTER WEIGHT	ca. 12 kg		
OPERATING TEMPERATURE RANGE	-20 °C... +60 °C		
VALVE SETTING RANGE			
EXCESS PRESSURE	+30 mbar	VACUUM PRESSURE	-8 mbar
EXPLOSION CLASS	IIA		

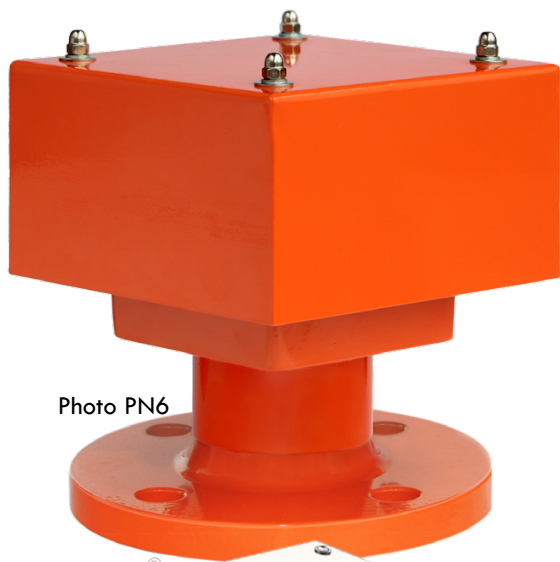
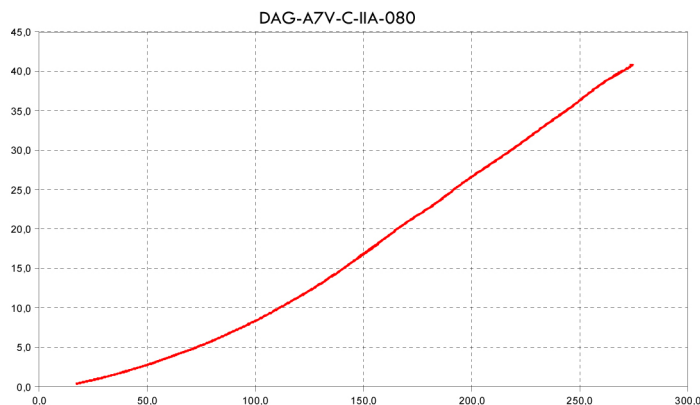
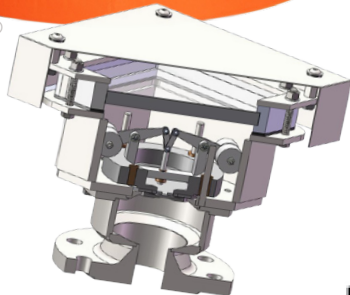


Photo PN6

FLAME ARRESTER'S PRESSURE DROP

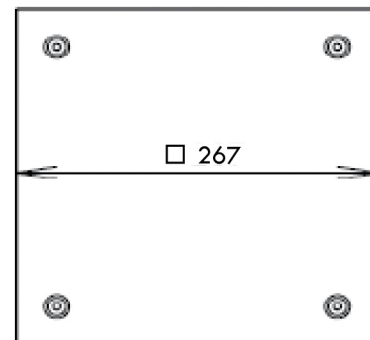


SafExty NExus®



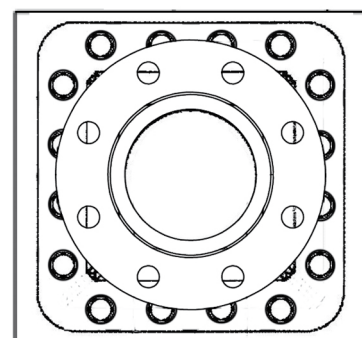
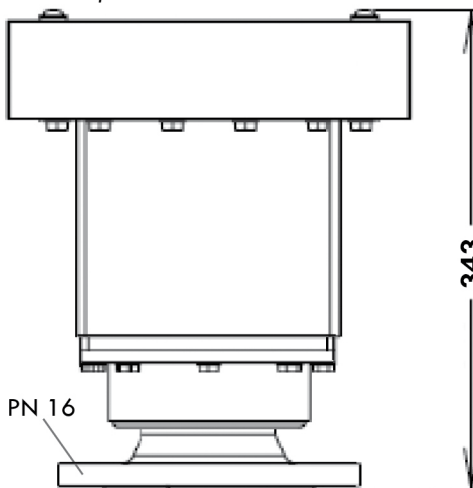
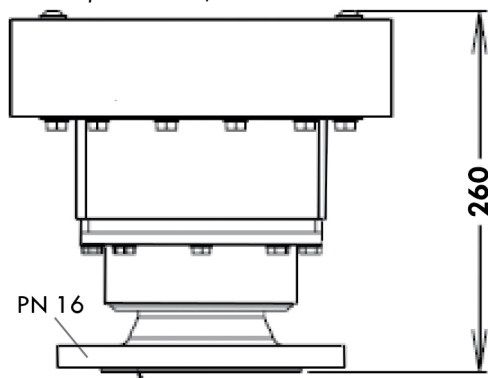
Middle-Pressure Valve

Potential setting range:
Excess pressure +50... +220 mbar
Vacuum pressure -8... -36 mbar



Standart Valve

Potential setting range:
Excess pressure +1.5... +50 mbar
Vacuum pressure -2,5... -8 mbar



Technické změny vyhrazeny - Technische Änderungen vorbehalten - Specifications subject to change without notice