

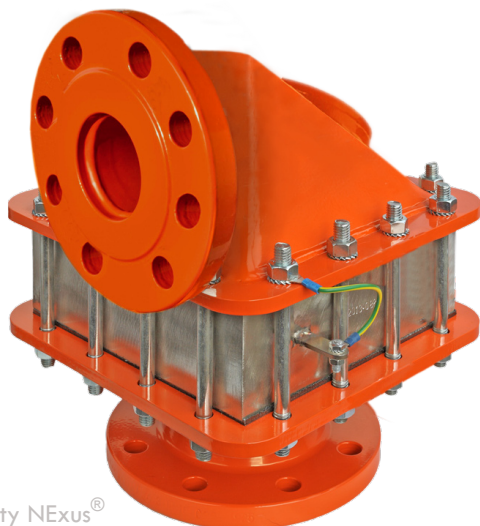
**ANGULAR BIDIRECTIONAL DETONATION & DEFLAGRATION FLAME ARRESTER**

**Typ: DAG-A7R-B-IIA-080**

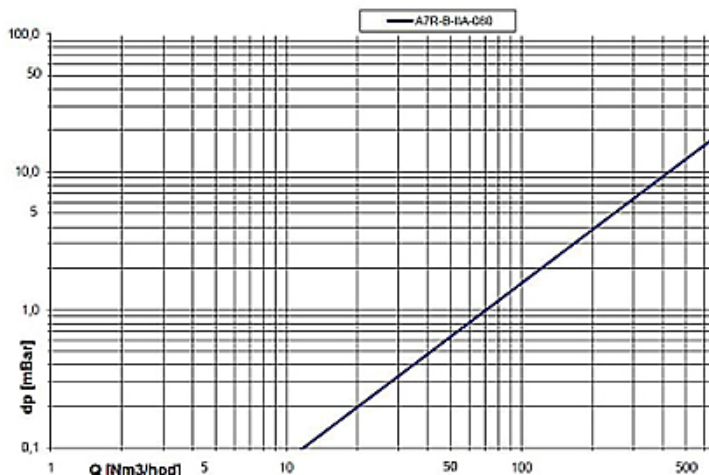
Certificate: **IBExU09ATEX2094 X** EN ISO 16852 

<b>PIPE CONNECTION</b>		
<b>FLANGED CONNECTION</b>	DN 80 - DIN 2633 - PN16*	
* According to the customers' request DIN 2631 PN6 or DIN 2632 PN10		
<b>MATERIAL OF CASING, CONNECTING FLANGES AND CONNECTION MATERIAL</b>		
ČSN 11 373	DIN 1.0036	S235JRG1
ČSN 17 240	DIN 1.4301	X5CrNi18-10
ČSN 17 348	DIN 1.4571	X6CrNiMoTi17-12-2

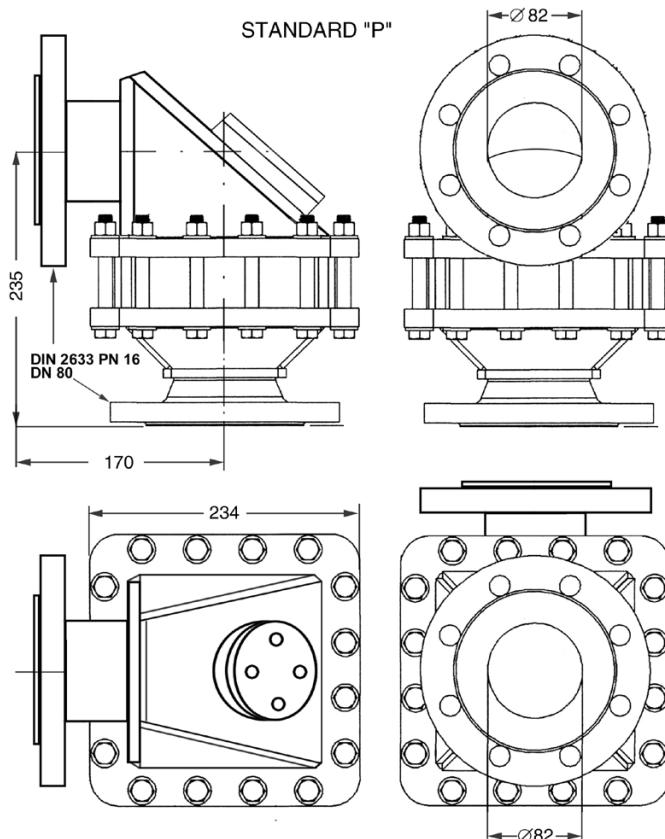
<b>MATERIAL QUENCHING ELEMENT</b>	DIN 1.4571 - X6CrNiMoTi17-12-2
<b>SEALING</b>	CS1310 th. 2 mm (expanded graphite)
<b>CORROSION PROTECTION</b>	Zink, Komaxit RAL 2004
<b>ARRESTER WEIGHT</b>	ca. 28 kg
<b>MAXIMUM OPERATING PRESSURE</b>	1,1 bar
<b>OPERATING TEMPERATURE RANGE</b>	-20 °C... +60 °C
<b>NAMEPLATE</b>	stainless metal sheet
<b>EXPLOSION CLASS</b>	<b>IIA</b>



FLAME ARRESTER'S PRESSURE DROP



SafExty NExus®



Technické změny vyhrazeny  
Technische Änderungen vorbehalten  
Specifications subject to change without notice