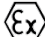


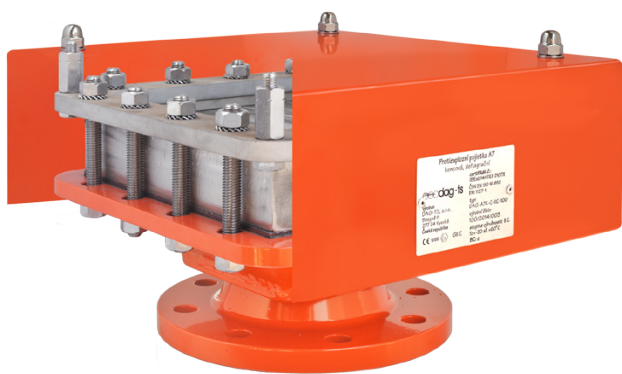
END-OF-LINE DEFLAGRATION FLAME ARRESTER

Typ: DAG-A7K-C-IIC-100

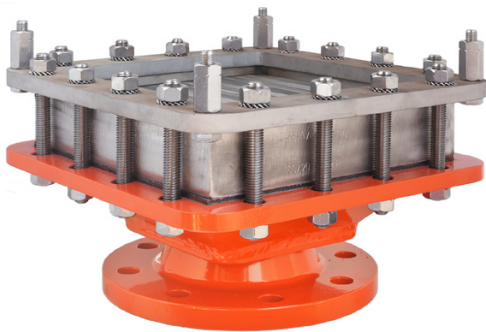
Certificate: IBEXU14ATEX2107 X EN ISO 16852 

PIPE CONNECTION		
FLANGED CONNECTION	DN 100 - DIN 2633 - PN16*	
* According to the customers' request DIN 2631 PN6 or DIN 2632 PN10		
THREAD CONNECTION	DN 100 - 4"	
MATERIAL OF CASING, CONNECTING FLANGES AND CONNECTION MATERIAL		
ČSN 11 373	DIN 1.0036	S235JRG1
ČSN 17 240	DIN 1.4301	X5CrNi18-10
ČSN 17 348	DIN 1.4571	X6CrNiMoTi17-12-2

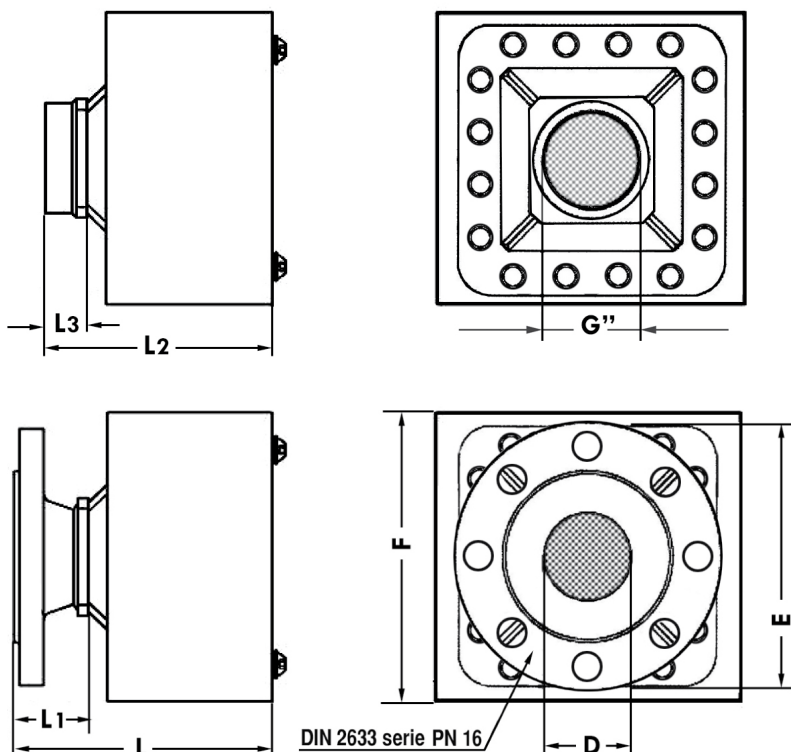
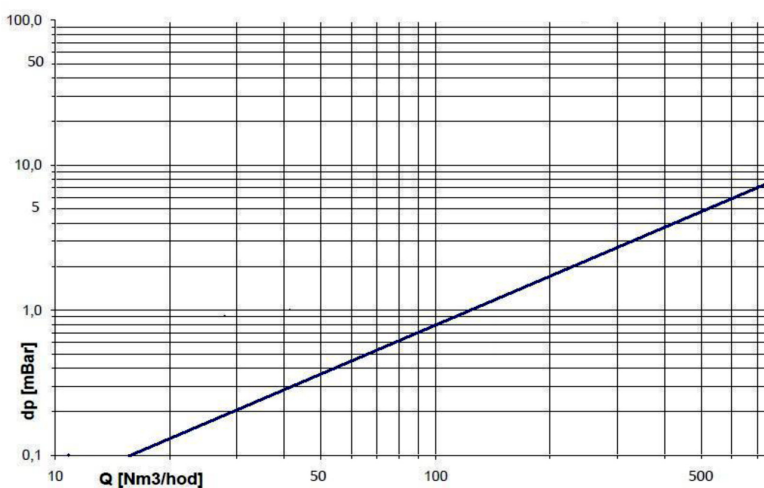
MATERIAL QUENCHING ELEMENT	DIN 1.4571 - X6CrNiMoTi17-12-2
SEALING	CS1310 th. 2 mm (expanded graphite)
CORROSION PROTECTION	Zink, Komaxit RAL 2004
ARRESTER WEIGHT	ca. 25 kg
OPERATING TEMPERATURE RANGE	-20 °C... +60 °C
NAMEPLATE	stainless metal sheet
EXPLOSION CLASS	IIC



SafExty NExus®



FLAME ARRESTER'S PRESSURE DROP



ROZMĚRY - ABMESSUNGEN DIMENSIONS		
D	DN	100
E	[mm]	290
F	[mm]	331
L	[mm]	215
L1	[mm]	52
L2	[mm]	193
L3	[mm]	30
G''	[inch]	4"
FL	DIN 2633	PN16

Technické změny vyhrazeny -
Technische Änderungen vorbehalten -
Specifications subject to change without notice