


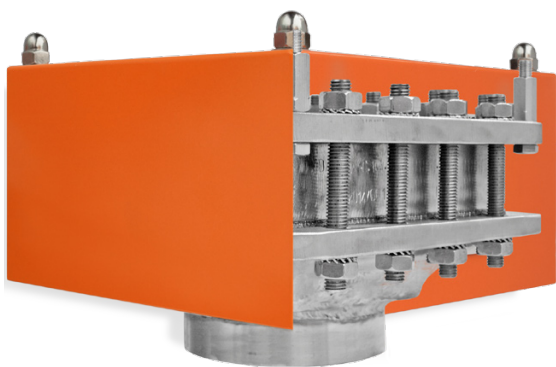
**END-OF-LINE DEFLAGRATION FLAME ARRESTER**

**Typ: DAG-A7K-C-IIB3-100**

Certificate: IBEXU10ATEX2170 X EN ISO 16852 

|   |                           |                   |
|---|---------------------------|-------------------|
| <b>PIPE CONNECTION</b>  |                           |                   |
| <b>FLANGED CONNECTION</b>   | DN 100 - DIN 2633 - PN16* |                   |
| * According to the customers' request DIN 2631 PN6 or DIN 2632 PN10   |                           |                   |
| <b>THREAD CONNECTION</b>  | DN 100 - 4"               |                   |
| <b>MATERIAL OF CASING, CONNECTING FLANGES AND CONNECTION MATERIAL</b> |                           |                   |
| ČSN 11 373  | DIN 1.0036                | S235JRG1          |
| ČSN 17 240  | DIN 1.4301                | X5CrNi18-10       |
| ČSN 17 348  | DIN 1.4571                | X6CrNiMoTi17-12-2 |

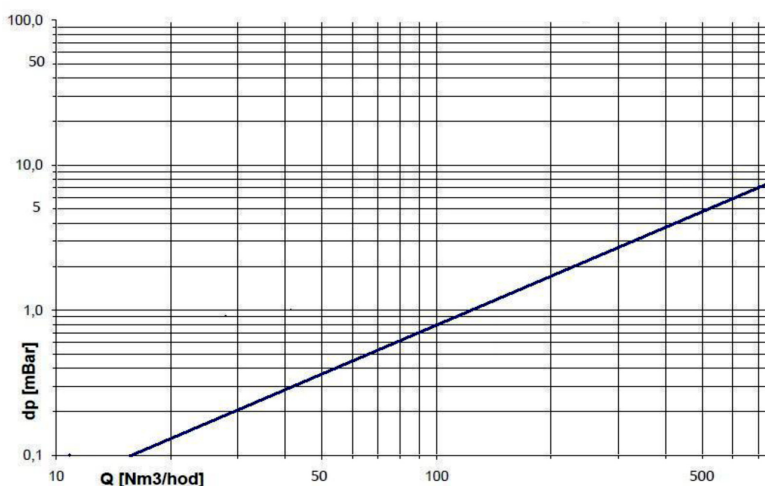
|                                    |                                     |
|------------------------------------|-------------------------------------|
| <b>MATERIAL QUENCHING ELEMENT</b>  | DIN 1.4571 - X6CrNiMoTi17-12-2      |
| <b>SEALING</b>                     | CS1310 th. 2 mm (expanded graphite) |
| <b>CORROSION PROTECTION</b>        | Zink, Komaxit RAL 2004              |
| <b>ARRESTER WEIGHT</b>             | ca. 22 kg                           |
| <b>OPERATING TEMPERATURE RANGE</b> | -20 °C... +60 °C                    |
| <b>NAMEPLATE</b>                   | stainless metal sheet               |
| <b>EXPLOSION CLASS</b>             | <b>IIB3</b>                         |



SafExty NExus®



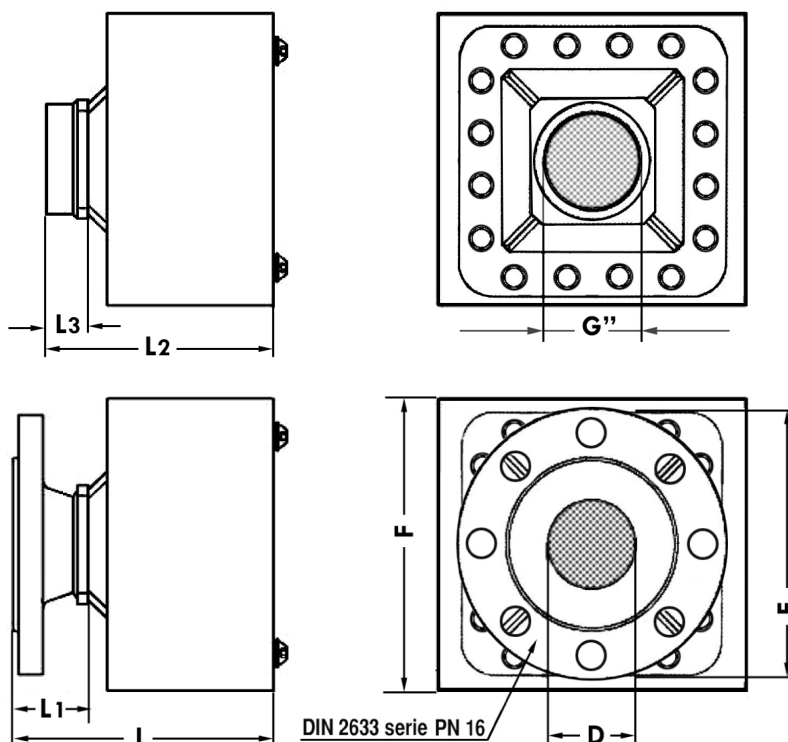
FLAME ARRESTER'S PRESSURE DROP



**ROZMĚRY - ABMESSUNGEN  
DIMENSIONS**

|    |          |      |
|----|----------|------|
| D  | DN       | 100  |
| E  | [mm]     | 290  |
| F  | [mm]     | 331  |
| L  | [mm]     | 204  |
| L1 | [mm]     | 52   |
| L2 | [mm]     | 182  |
| L3 | [mm]     | 30   |
| G" | [inch]   | 4"   |
| FL | DIN 2633 | PN16 |

Technické změny vyhrazeny -  
Technische Änderungen vorbehalten -  
Specifications subject to change without notice



DIN 2633 serie PN 16