

**END-OF-LINE DEFLAGRATION FLAME ARRESTER**

**Typ: DAG-A7K-C-IIB-080**

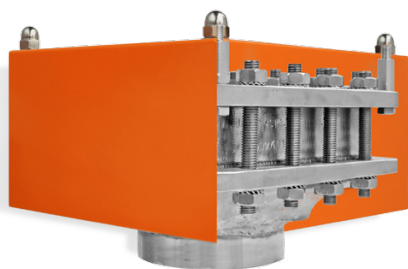
Certificate: IBE<sub>X</sub>U12ATEX2074 X EN ISO 16852 

<b>PIPE CONNECTION</b>		
<b>FLANGED CONNECTION</b>	DN 80 - DIN 2633 - PN16*	
* According to the customers' request DIN 2631 PN6 or DIN 2632 PN10		
<b>THREAD CONNECTION</b>	DN 80 - 3"	
<b>MATERIAL OF CASING, CONNECTING FLANGES AND CONNECTION MATERIAL</b>		
ČSN 11 373	DIN 1.0036	S235JRG1
ČSN 17 240	DIN 1.4301	X5CrNi18-10
ČSN 17 348	DIN 1.4571	X6CrNiMoTi17-12-2

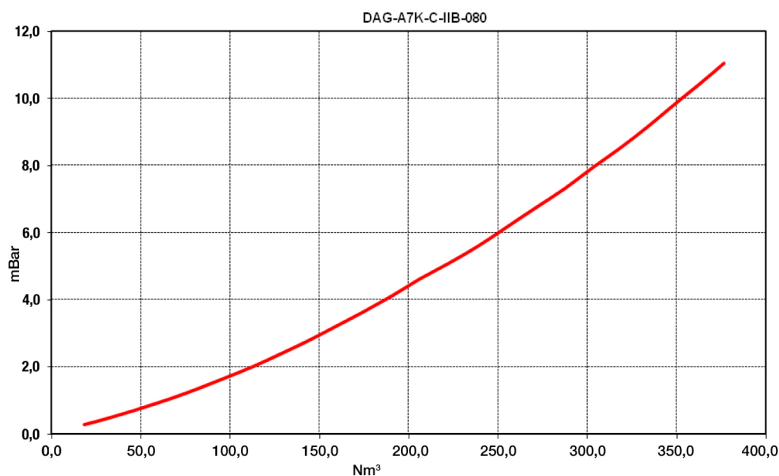
<b>MATERIAL QUENCHING ELEMENT</b>	DIN 1.4571 - X6CrNiMoTi17-12-2
<b>SEALING</b>	CS1310 th. 2 mm (expanded graphite)
<b>CORROSION PROTECTION</b>	Zink, Komaxit RAL 2004
<b>ARRESTER WEIGHT</b>	ca. 16 kg
<b>OPERATING TEMPERATURE RANGE</b>	-20 °C... +60 °C
<b>NAMEPLATE</b>	stainless metal sheet
<b>EXPLOSION CLASS</b>	<b>IIB</b>



SafExty NExus®



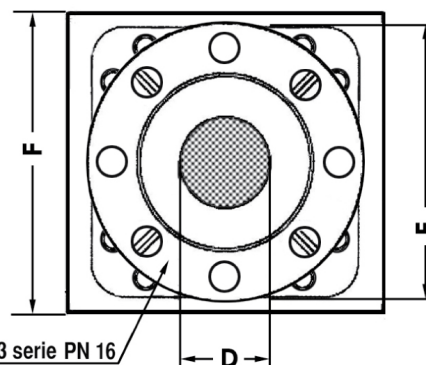
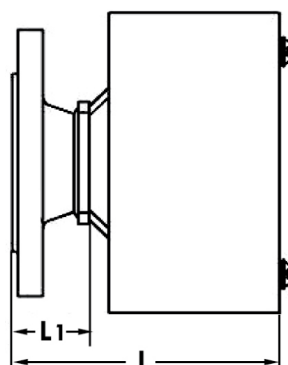
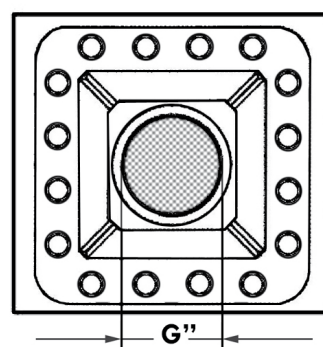
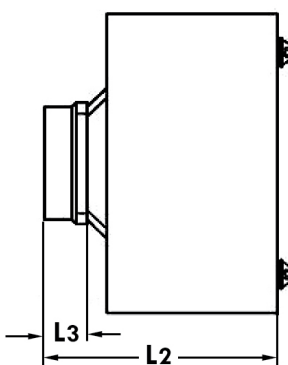
FLAME ARRESTER'S PRESSURE DROP



**ROZMĚRY - ABMESSUNGEN  
DIMENSIONS**

D	DN	80
E	[mm]	234
F	[mm]	266
L	[mm]	187
L1	[mm]	50
L2	[mm]	166
L3	[mm]	29
G"	[inch]	3"
FL	DIN 2633	PN16

Technické změny vyhrazeny -  
Technische Änderungen vorbehalten -  
Specifications subject to change without notice



DIN 2633 serie PN 16