

END-OF-LINE DEFLAGRATION FLAME ARRESTER

Typ: **DAG-A7K-C-IIA-150-T250°C**

Certificate: IBEXU11ATEX2146 X EN ISO 16852

<b>PIPE CONNECTION</b>		
<b>FLANGED CONNECTION</b>	DN 150 - DIN 2633 - PN16*	
* According to the customers' request DIN 2631 PN6 or DIN 2632 PN10		
<b>MATERIAL OF CASING, CONNECTING FLANGES AND CONNECTION MATERIAL</b>		
ČSN 17 240	DIN 1.4301	X5CrNi18-10
ČSN 17 348	DIN 1.4571	X6CrNiMoTi17-12-2

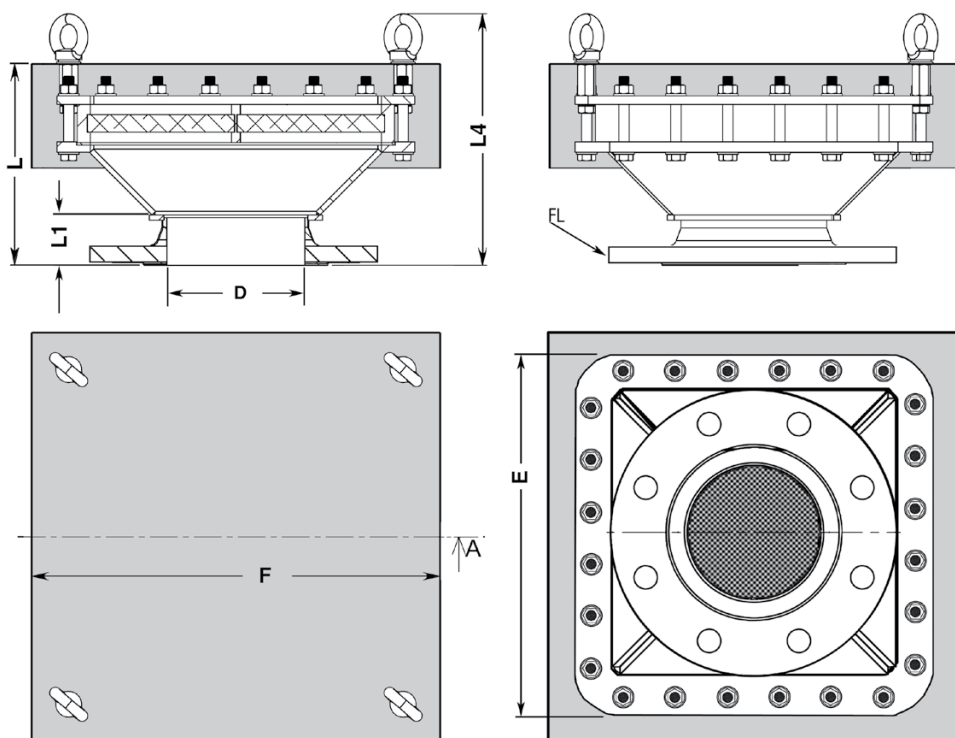
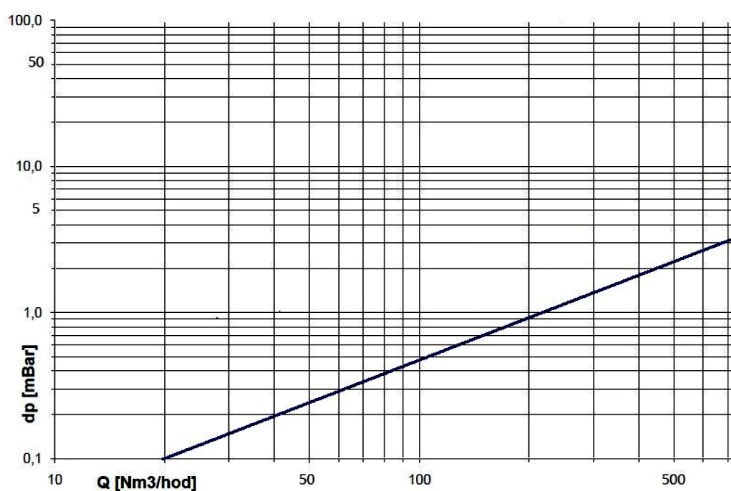
<b>MATERIAL QUENCHING ELEMENT</b>	DIN 1.4571 - X6CrNiMoTi17-12-2
<b>SEALING</b>	CS1310 th. 2 mm (expanded graphite)
<b>ARRESTER WEIGHT</b>	ca. 60 kg
<b>OPERATING TEMPERATURE RANGE</b>	-20 °C... +250 °C
<b>NAMEPLATE</b>	stainless metal sheet

<b>EXPLOSION CLASS</b>	<b>IIA</b>
------------------------	------------



SafExty NExus<sup>®</sup>

FLAME ARRESTER'S PRESSURE DROP



ROZMĚRY - ABMESSUNGEN DIMENSIONS		
D	DN	150
E	[mm]	415
F	[mm]	472
L	[mm]	233
L1	[mm]	58
L4	[mm]	290
FL	DIN 2633	PN16

Technické změny vyhrazeny -  
Technische Änderungen vorbehalten -  
Specifications subject to change without notice