

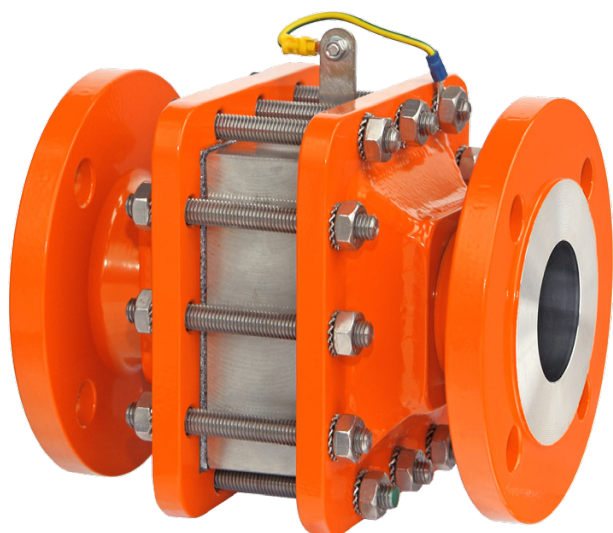
IN-LINE BIDIRECTIONAL DETONATION and DEFLAGRATION FLAME ARRESTER

Typ: DAG-A7-B-IIB1-050

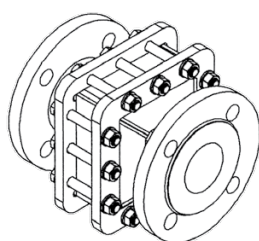
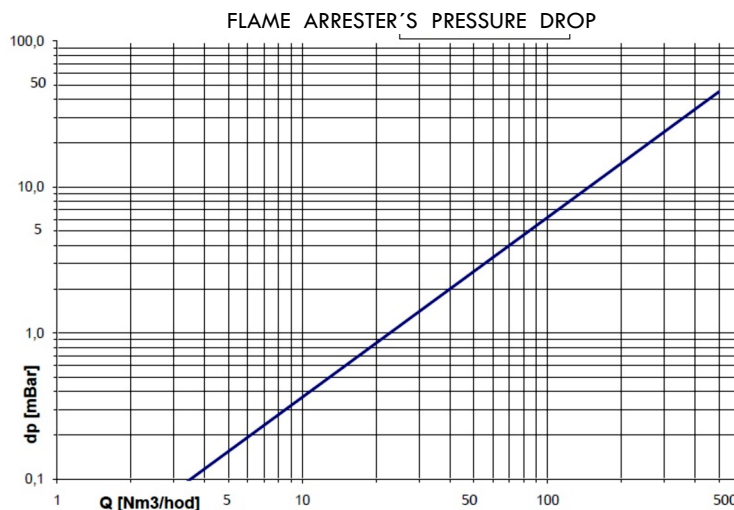
Certificate: **IBExU09ATEX2093 X** EN ISO 16852 

| | | |
|---|----------------------|-------------------|
| PIPE CONNECTION | | |
| FLANGED CONNECTION | 50 - DIN 2631 - PN6* | |
| * According to the customers' request DIN 2632 PN10 or DIN 2633 PN16 | | |
| THREAD CONNECTION | DN 50 - 2" | |
| MATERIAL OF CASING, CONNECTING FLANGES AND CONNECTION MATERIAL | | |
| ČSN 11 373 | DIN 1.0036 | S235JRG1 |
| ČSN 17 240 | DIN 1.4301 | X5CrNi18-10 |
| ČSN 17 348 | DIN 1.4571 | X6CrNiMoTi17-12-2 |

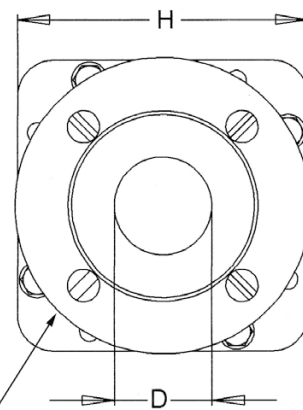
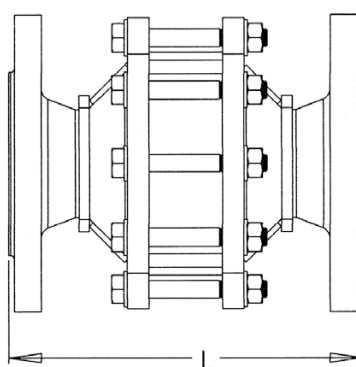
| | |
|------------------------------------|-------------------------------------|
| MATERIAL QUENCHING ELEMENT | DIN 1.4571 - X6CrNiMoTi17-12-2 |
| SEALING | CS1310 th. 2 mm (expanded graphite) |
| CORROSION PROTECTION | Zink, Komaxit RAL 2004 |
| ARRESTER WEIGHT | ca. 11,5 kg |
| MAXIMUM OPERATING PRESSURE | 1,1 bar |
| OPERATING TEMPERATURE RANGE | -20 °C... +60 °C |
| NAMEPLATE | stainless metal sheet |
| EXPLOSION CLASS | IIB1 |



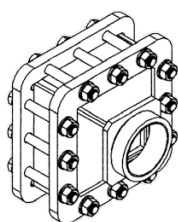
SafExty NExus®



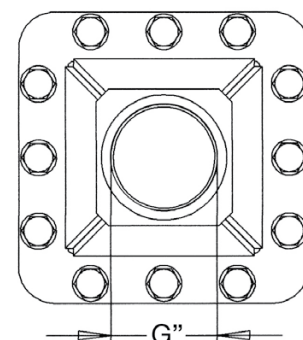
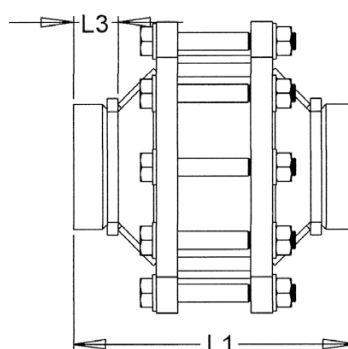
Flanged connection



FL DIN 2631 PN6



Thread connection



| ROZMĚRY - ABMESSUNGEN DIMENSIONS | | |
|-------------------------------------|----------|-----|
| D | DN | 50 |
| H | [mm] | 162 |
| L | [mm] | 196 |
| L1 | [mm] | 156 |
| L3 | [mm] | 25 |
| FL | DIN 2631 | PN6 |
| G" | [inch] | 2" |

Technické změny vyhrazeny -
Technische Änderungen vorbehalten -
Specifications subject to change without notice