

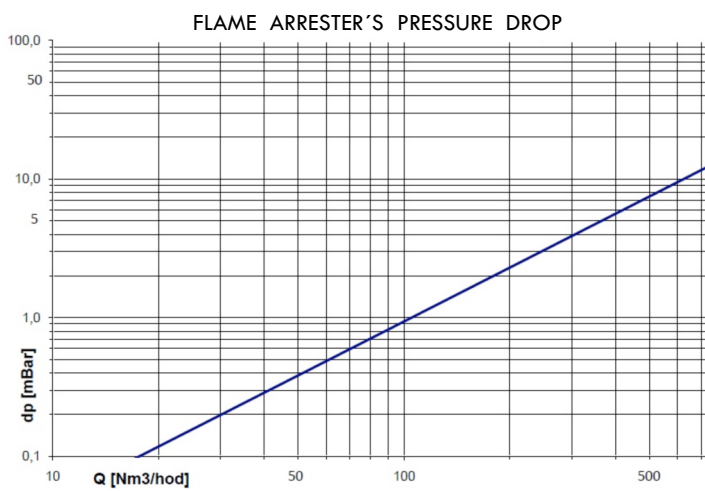
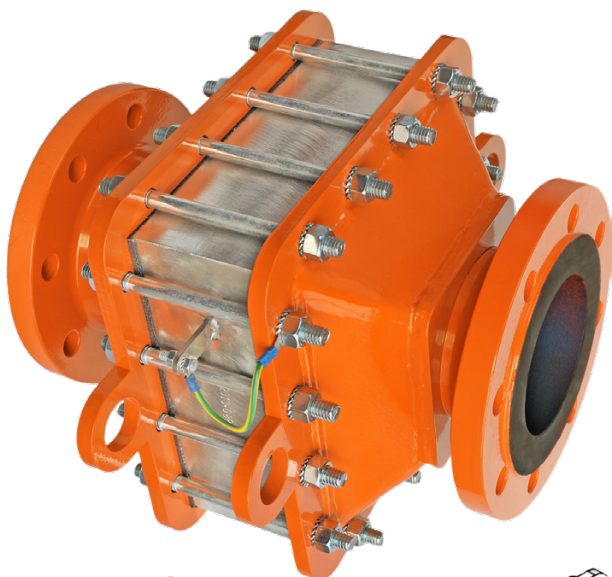
IN-LINE BIDIRECTIONAL DETONATION and DEFLAGRATION FLAME ARRESTER

Typ: DAG-A7-B-IIA-100

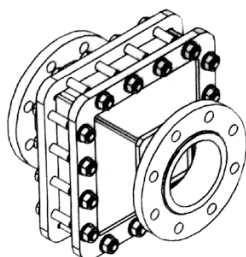
Certificate: **IBExU09ATEX2093 X** EN ISO 16852 

PIPE CONNECTION		
FLANGED CONNECTION	DN 100 - DIN 2633 - PN16*	
* According to the customers' request DIN 2631 PN6 or DIN 2632 PN10		
THREAD CONNECTION	DN 100 - 4"	
MATERIAL OF CASING, CONNECTING FLANGES AND CONNECTION MATERIAL		
ČSN 11 373	DIN 1.0036	S235JRG1
ČSN 17 240	DIN 1.4301	X5CrNi18-10
ČSN 17 348	DIN 1.4571	X6CrNiMoTi17-12-2

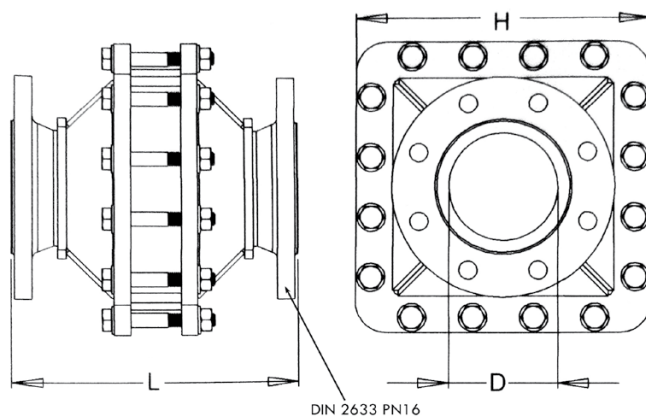
MATERIAL QUENCHING ELEMENT	DIN 1.4571 - X6CrNiMoTi17-12-2
SEALING	CS1310 th. 2 mm (expanded graphite)
CORROSION PROTECTION	Zink, Komaxit RAL 2004
ARRESTER WEIGHT	ca. 36 kg
MAXIMUM OPERATING PRESSURE	1,2 bar
OPERATING TEMPERATURE RANGE	-20 °C... +60 °C
NAMEPLATE	stainless metal sheet
EXPLOSION CLASS	IIA



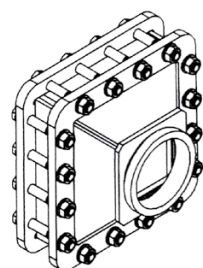
SafExty NExus®



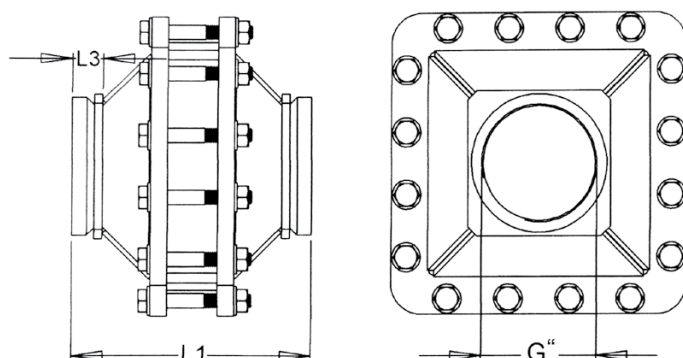
Flanged connection



DIN 2633 PN16



Thread connection



ROZMĚRY - ABMESSUNGEN DIMENSIONS		
D	DN	100
H	[mm]	290
L	[mm]	275
L1	[mm]	230
L3	[mm]	29
FL	DIN 2633	PN16
G"	[inch]	4"

Technické změny vyhrazeny -
Technische Änderungen vorbehalten -
Specifications subject to change without notice