


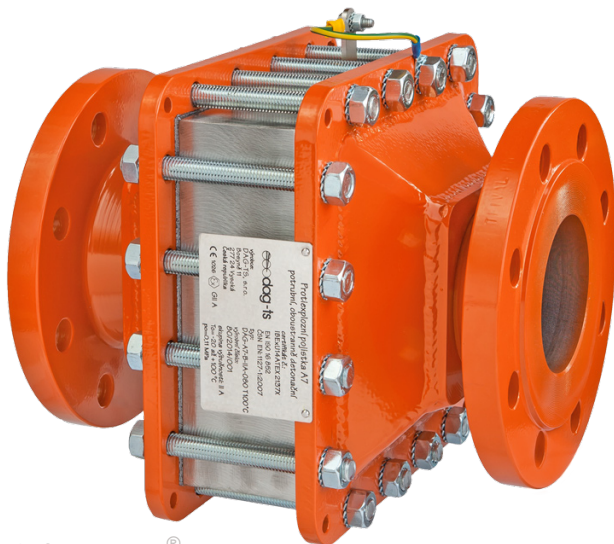
**IN-LINE BIDIRECTIONAL DETONATION and DEFLAGRATION FLAME ARRESTER**

**Typ: DAG-A7-B-IIA-080 - T100°C**

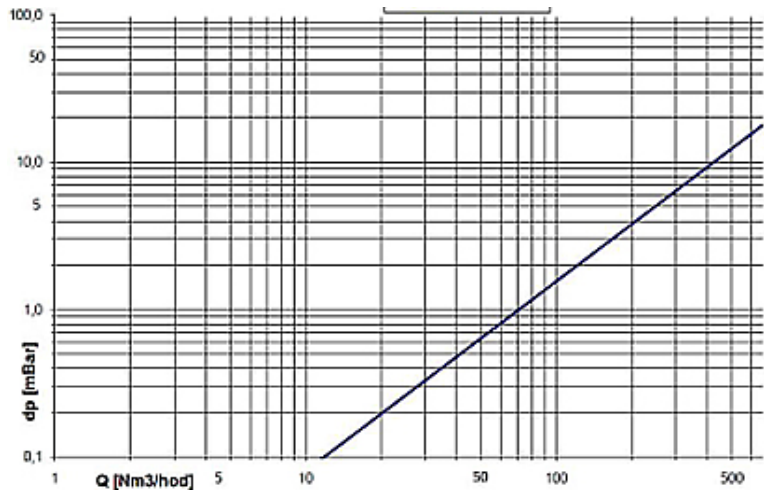
Certificate: **IBExU14ATEX2137 X** EN ISO 16852 

<b>PIPE CONNECTION</b>		
<b>FLANGED CONNECTION</b>	80 - DIN 2633 - PN16*	
* According to the customers' request DIN 2631 PN6 or DIN 2632 PN10		
<b>THREAD CONNECTION</b>	DN 80 - 3"	
<b>MATERIAL OF CASING, CONNECTING FLANGES AND CONNECTION MATERIAL</b>		
ČSN 11 373	DIN 1.0036	S235JRG1
ČSN 17 240	DIN 1.4301	X5CrNi18-10
ČSN 17 348	DIN 1.4571	X6CrNiMoTi17-12-2

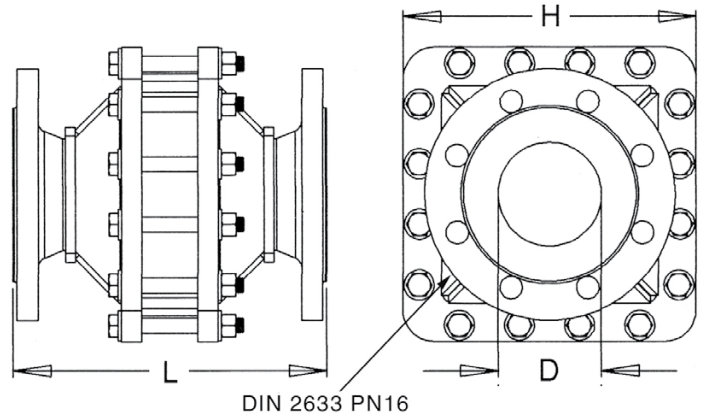
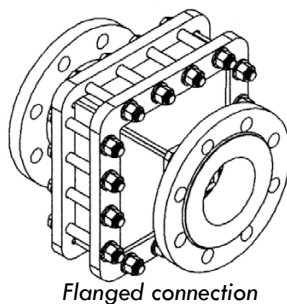
<b>MATERIAL QUENCHING ELEMENT</b>	DIN 1.4571 - X6CrNiMoTi17-12-2
<b>SEALING</b>	CS1310 th. 2 mm (expanded graphite)
<b>CORROSION PROTECTION</b>	Zink, Komaxit RAL 2004
<b>ARRESTER WEIGHT</b>	ca. 28 kg
<b>MAXIMUM OPERATING PRESSURE</b>	1,1 bar
<b>OPERATING TEMPERATURE RANGE</b>	-20 °C... +100 °C
<b>NAMEPLATE</b>	stainless metal sheet
<b>EXPLOSION CLASS</b>	<b>IIA</b>



FLAME ARRESTER'S PRESSURE DROP



SafExty NExus®



ROZMĚRY - ABMESSUNGEN DIMENSIONS		
D	DN	80
H	[mm]	234
L	[mm]	288
L1	[mm]	246
L3	[mm]	29
FL	DIN 2633	PN16
G"	[inch]	3"
Technické změny vyhrazeny - Technische Änderungen vorbehalten - Specifications subject to change without notice		

