

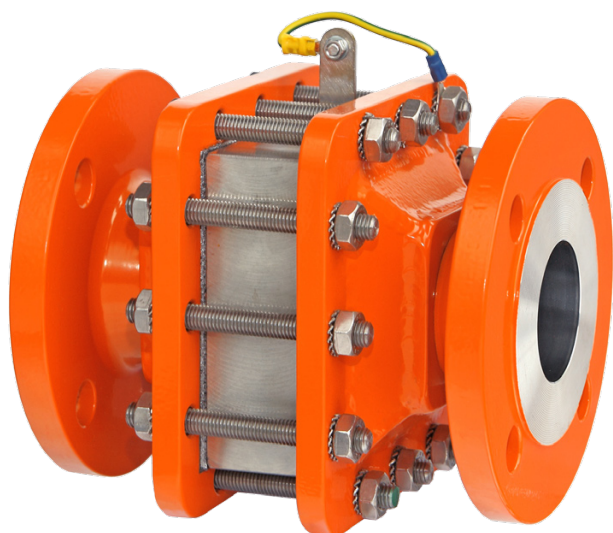
IN-LINE BIDIRECTIONAL DETONATION and DEFLAGRATION FLAME ARRESTER

Typ: DAG-A7-B-IIA-050

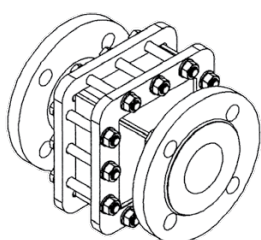
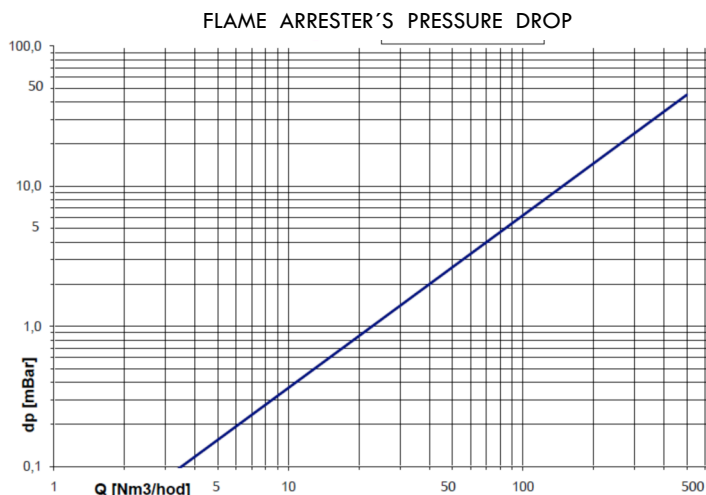
Certificate: **IBExU09ATEX2093 X** EN ISO 16852 

PIPE CONNECTION		
FLANGED CONNECTION	50 - DIN 2631 - PN6*	
* According to the customers' request DIN 2632 PN6 or DIN 2633 PN16		
THREAD CONNECTION	DN 50 - 2"	
MATERIAL OF CASING, CONNECTING FLANGES AND CONNECTION MATERIAL		
ČSN 11 373	DIN 1.0036	S235JRG1
ČSN 17 240	DIN 1.4301	X5CrNi18-10
ČSN 17 348	DIN 1.4571	X6CrNiMoTi17-12-2

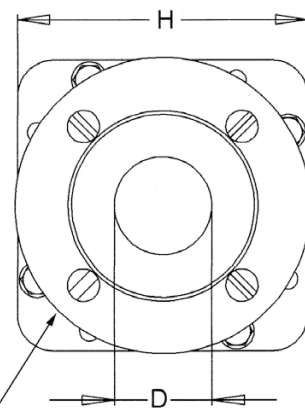
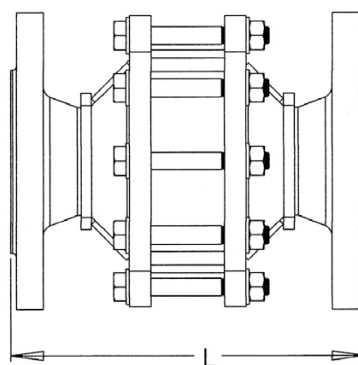
MATERIAL QUENCHING ELEMENT	DIN 1.4571 - X6CrNiMoTi17-12-2
SEALING	CS1310 th. 2 mm (expanded graphite)
CORROSION PROTECTION	Zink, Komaxit RAL 2004
ARRESTER WEIGHT	ca. 11,5 kg
MAXIMUM OPERATING PRESSURE	1,1 bar
OPERATING TEMPERATURE RANGE	-20 °C... +60 °C
NAMEPLATE	stainless metal sheet
EXPLOSION CLASS	IIA



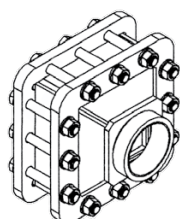
SafExty NExus®



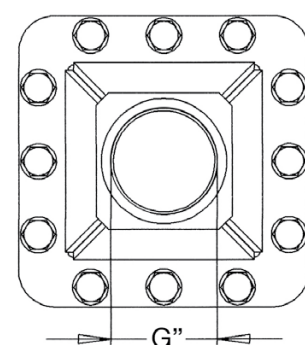
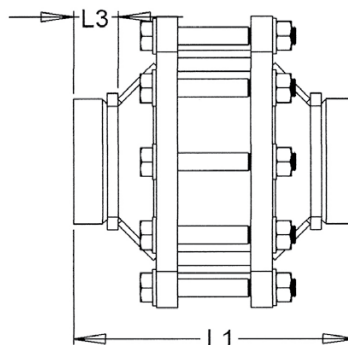
Flanged connection



FL DIN 2631 PN6



Thread connection



ROZMĚRY - ABMESSUNGEN DIMENSIONS		
D	DN	50
H	[mm]	162
L	[mm]	196
L1	[mm]	156
L3	[mm]	25
FL	DIN 2631	PN6
G''	[inch]	2''

Technické změny vyhrazeny -
Technische Änderungen vorbehalten -
Specifications subject to change without notice